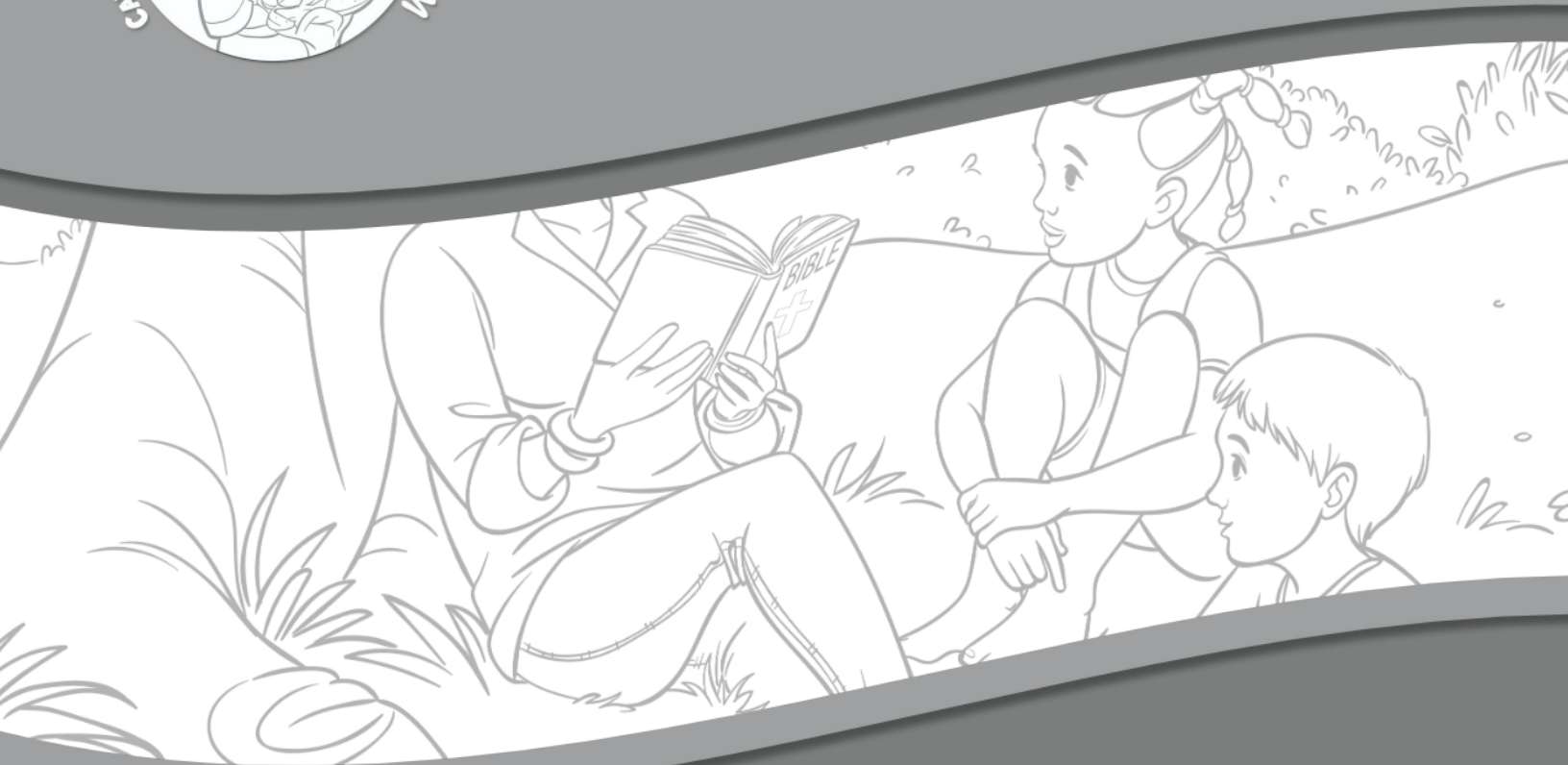




**NEW KING JAMES
VERSION (NKJV)**



THE IMPORTANCE OF THE BIBLE

PSALM 119:11, 105, 162



Calvary Curriculum's *LITTLE ONES CURRICULUM*

THE IMPORTANCE of THE BIBLE

Copyright © Calvary Curriculum. All rights reserved.

You may not, under any circumstances, sell, distribute, or commercially exploit the content or receive financial gain from these resources. Nor may you host it on any other website, transmit it, or store it on any type of electronic retrieval system without the prior written permission of Calvary Curriculum.

This curriculum may be printed/photocopied as many times as needed, for you or your classroom/church, as long as you adhere to the above paragraph.

Scripture taken from the New King James Version®.
Copyright © 1982 by Thomas Nelson, Inc.
Used by permission. All rights reserved.

All Illustrations
Copyright © by Matt Baker
All rights reserved.

Created by: Larry Enterline
Written by: Rebekah Enterline
Edited by: Barbie Enterline
Layout & Design by: Matt Enterline

JESUS LOVES

THE IMPORTANCE OF THE BIBLE

PSALM 119:11
105, 162



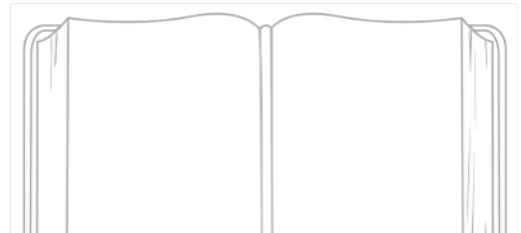
Matt Baker

"Your word is a lamp to my feet and a light to my path." Psalm 119:105

Copyright © Calvary Curriculum & Matt Baker

THE IMPORTANCE OF THE BIBLE

PSALM 119:11, 105, 162



UNDERSTANDING THE STORY:

The Bible is God's Word to us. God wants us to know Him. He also wants us to know how to live our lives. We learn God's ways from God's Word, the Bible.

- Can you tell me what you know about the Bible?

There's a Bible verse that says, "Your word is a lamp to my feet and a light to my path." (Psalm 119:105)

- Why does it describe God's Word (the Bible) as a lamp and a light?
- Just like we need light from the sun outside or light from a lamp inside to see what we are doing, do we need the Bible to show us how we should live our lives?
- What would happen if we tried to walk or run in a very dark room? Could we trip and fall and hurt ourselves?
- What happens if we try to live our lives without knowing what the Bible says? Will we make a lot of mistakes? Will our lives be harder if we don't know how God wants us to live?
- What if you can't read the Bible yet, what could you do instead?

Let's listen to these Bible verses and talk about what they mean:

- **"Your word I have hidden in my heart, that I might not sin against You." Psalm 119:11**
Will knowing and remembering what the Bible says help us do what is pleasing to God?
- **"I rejoice at Your word as one who finds great treasure." Psalm 119:162**
If you found a great treasure, how would you treat it? The Bible is so wonderful, like a great treasure! How should we treat the Bible?
- There are other Bible verses (in Psalm 119) that talk about how the Bible gives us **understanding** and **hope** and **peace**. We shouldn't forget God's Word, but we should remember it and do what it says. The Bible promises that we will be blessed when we follow what God says.

SIMPLE TRUTHS:

The Bible is the most wonderful book in the whole world! In the Bible, God He tells us how He made the world and how we can go to heaven one day. He tells about His amazing love for people and He teaches us how to live our lives on earth. The Bible is God's Word to us.

- God wants us to know the Bible, because that's how we get to know Him!
- Let's ask God to help us get to know Him better from the Bible.
- Let's pray and ask God to help us love His Word and to do what it says.

AND REMEMBER...

The Bible is a precious gift from God to us!

MEMORY VERSE:

**"Your word is a lamp to my feet and a light to my path."
Psalm 119:105**

THE IMPORTANCE OF THE BIBLE

PSALM 119:11, 105, 162

KEY WORDS FROM BIBLE STORY

BIBLE
WORD
FEET

LIGHT
PATH
PSALM

FIND THE **KEY WORDS** IN THE **WORDSEARCH**. THE FIRST LETTER OF EACH KEY WORD IS **BOLDED** IN WORDSEARCH.

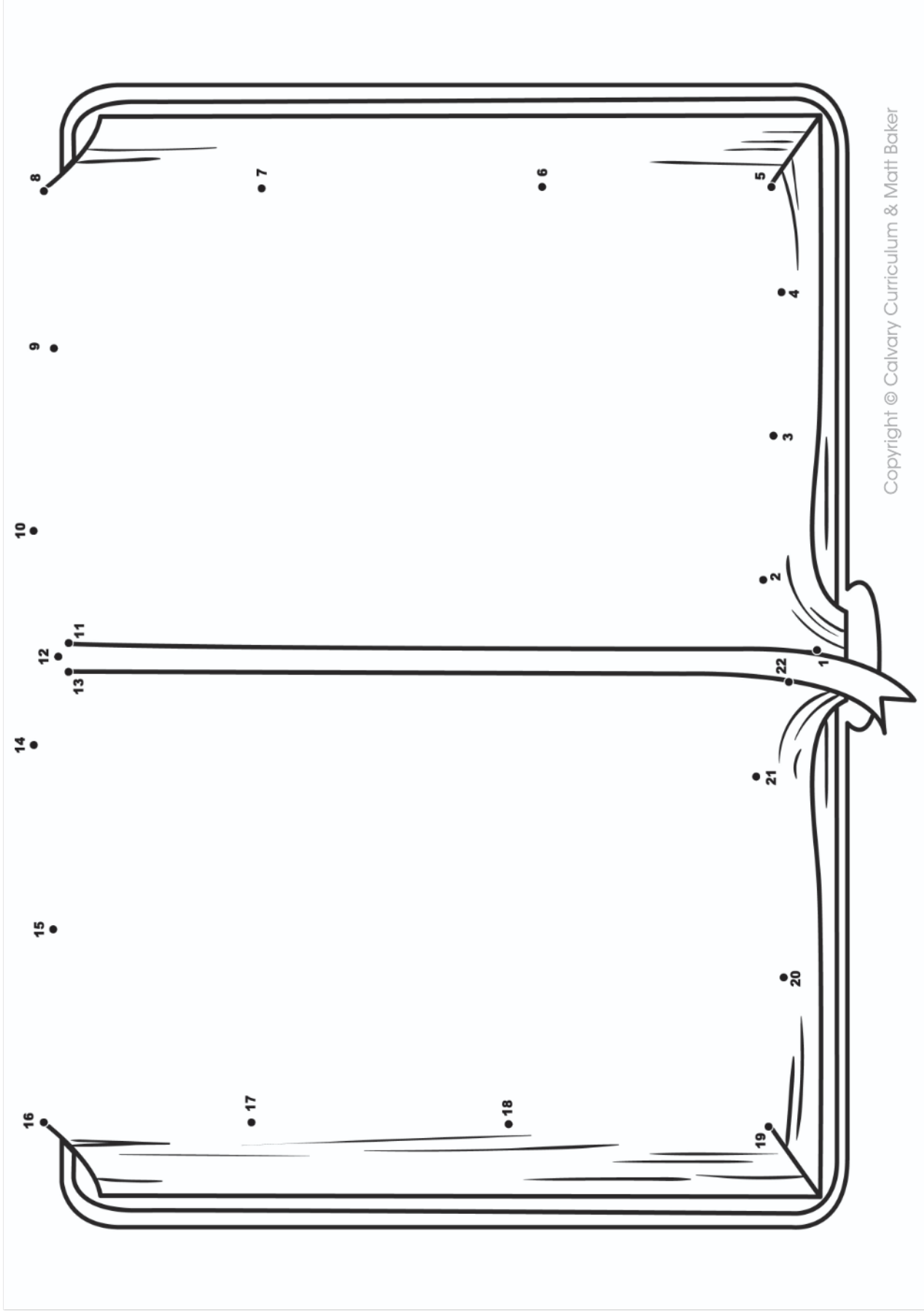
B H I E V E S B W
I N O K R Z J A O
B V P A T H T E R
L P S A L M O G D
E B F E E T A L R
L E J Q S E P K I
L I G H T B S M T
U F U J E H B E A
E M G J D S O Y N

THE IMPORTANCE OF THE BIBLE

PSALM 119:11, 105, 162

MEMORY VERSE:

"Your word is a lamp to my feet and a light to my path." Psalm 119:105

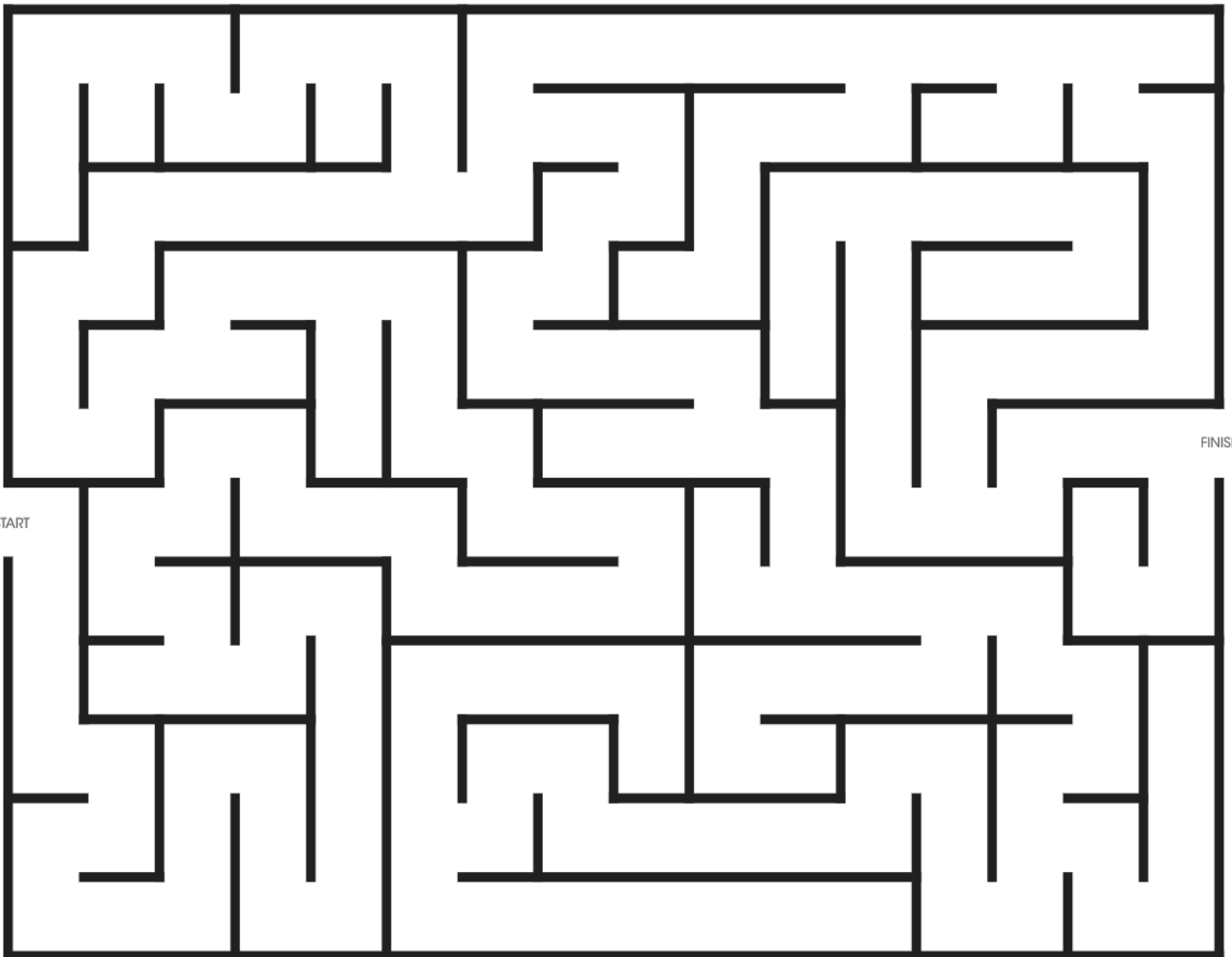


THE IMPORTANCE OF THE BIBLE

PSALM 119:11, 105, 162

FILL IN THE BLANK

“Your word is a lamp to my
_____ and a light to my path.”
Psalm 119:105



THE IMPORTANCE OF THE BIBLE **FIND THE DIFFERENCES**

ORIGINAL



5 CHANGES



THE IMPORTANCE OF THE BIBLE **THE CRAFT**

WHAT YOU WILL NEED:

- Scissors
- Tape **OR** Glue

BEFORE CLASS INSTRUCTIONS:

1. After making your copies of the Bible verses, use scissors to cut them out. One verse for each side of the Bible.

"YOUR WORD
I HAVE HIDDEN
IN MY HEART,
THAT I MIGHT
NOT SIN
AGAINST YOU."
PSALM 119:11

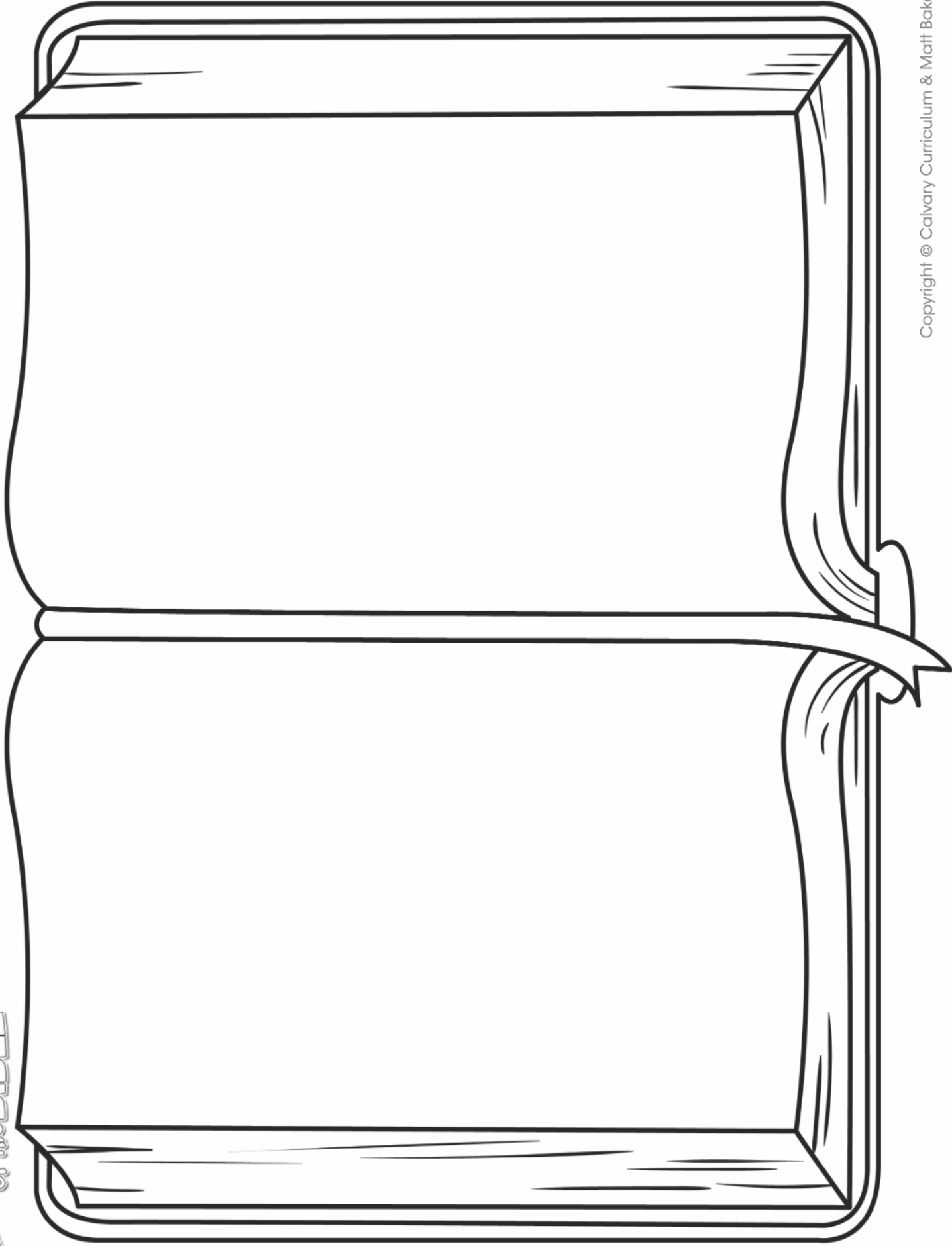
"YOUR WORD
IS A LAMP TO
MY FEET AND
A LIGHT TO
MY PATH."
PSALM 119:105

DURING CLASS INSTRUCTIONS:

1. Children can color their Bible and their Bible verses.
2. Help children tape **OR** glue the Bible verses onto their Bible craft sheet.

THE IMPORTANCE of the BIBLE

PSALM 119:11, 105, 162



"YOUR WORD
I HAVE HIDDEN
IN MY HEART,
THAT I MIGHT
NOT SIN
AGAINST YOU."
PSALM 119:11

"YOUR WORD
I HAVE HIDDEN
IN MY HEART,
THAT I MIGHT
NOT SIN
AGAINST YOU."
PSALM 119:11

"YOUR WORD
IS A LAMP TO
MY FEET AND
A LIGHT TO
MY PATH."
PSALM 119:105

"YOUR WORD
IS A LAMP TO
MY FEET AND
A LIGHT TO
MY PATH."
PSALM 119:105