

An open Bible lies flat on a rustic wooden surface. The pages are filled with text, and the book is illuminated by a warm, golden light from a setting or rising sun in the background. The sun is positioned behind the Bible, creating a bright glow and casting long, soft shadows. The background shows a blurred landscape of trees and hills under a hazy, orange sky.

Delighting in God's Path:
How to Get It Right
Psalm 119:137-144

Mike Hogue
June 14, 2026

צ צ

tsadhe

137 צַדִּיק אֶתָּה יְהוָה וַיִּשָּׂר מִשְׁפָּטֶיךָ:

138 צְוִיתָ צֶדֶק עֲדוֹתֶיךָ וְאַמוּנָה מְאֹד:

139 צַמְתַּתְנִי קִנְאֹתֶי כִּי־שָׁכַחוּ דְבַרֶיךָ צָרִי:

140 צְרוּפָה אִמְרַתְךָ מְאֹד וְעַבְדְּךָ אֶהְבֶּה:

141 צָעִיר אֲנִי וְנִבְזָה פִּקְדֵיךָ לֹא שָׁכַחְתִּי:

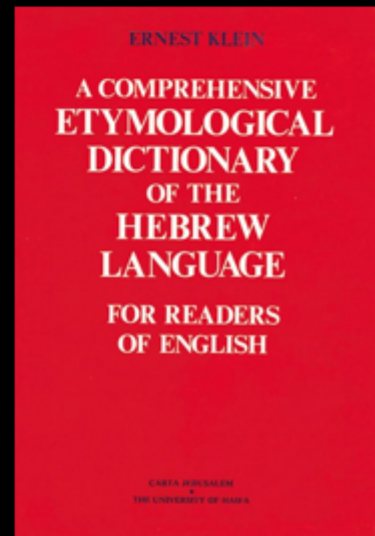
142 צְדָקֹתְךָ צֶדֶק לְעוֹלָם וְתוֹרַתְךָ אֱמֶת:

143 צַר־וּמְצוֹק מִצְאוּנִי מִצּוֹתֶיךָ שֶׁעָשִׂיתִי:

144 צֶדֶק עֲדוֹתֶיךָ לְעוֹלָם הִבִּינִי וְאַחִיָּה:

Psalm 119:137–144 (BHS OT)

The eighteenth letter of the Heb. alphabet. The name of the letter, 'tzadeh' or 'tzade' (צָדֵי), means lit. 'fishing hook' and prob. so called in allusion to the ancient form of this letter. It is also called צִדִּיק, 'tzaddik', prob. formed from צָדֵי and ק, the letter following it in the Heb. alphabet, under the influence of the word צִדִּיק.



137 צֶדֶק אֶתָּה יְהוָה וַיֵּשֶׁר מִשְׁפָּטֶיךָ:

138 צוֹיֵת צֶדֶק עֲדוֹתֶיךָ וְאִמוּנָה מְאֹד:

139 צִמַּתְתָּנִי קִנְאֹתִי כִּי־שָׁכַחוּ דְבַרְיֶךָ צָרִי:

140 צְרוּפָה אִמְרַתְךָ מְאֹד וְעַבְדְּךָ אֶהְבֶּה:

141 צַעִיר אֲנִכִּי וְנִבְזָה פִּקְדֵיךָ לֹא שָׁכַחְתִּי:

142 צִדְקַתְךָ צֶדֶק לְעוֹלָם וְתוֹרַתְךָ אֱמֶת:

143 צַר־וּמְצוֹק מִצְאוּנִי מִצֹּתֶיךָ שַׁעֲשַׁעִי:

144 צֶדֶק עֲדוֹתֶיךָ לְעוֹלָם הִבִּינִי וְאַחִיָּה:

צדק

“šedeq”

¹³⁷You are **righteous**, LORD, And Your judgments are right.

¹³⁸You have commanded Your testimonies in **righteousness** And great faithfulness.

¹³⁹My zeal has consumed me, Because my enemies have forgotten Your words.

¹⁴⁰Your word is very pure, Therefore Your servant loves it.

¹⁴¹I am small and despised, *Yet* I do not forget Your precepts.

¹⁴²Your **righteousness** is an everlasting **righteousness**, And Your Law is truth.

¹⁴³Trouble and anguish have come upon me, *Yet* Your commandments are my delight.

¹⁴⁴Your testimonies are **righteous** forever; Give me understanding that I may live.

Psalm 119:137–144 (NASB 2020)

צֶדֶק (šedeq)

1. a. accuracy, what is correct
b. the right thing, what is honest
2. equity, what is right
3. communal loyalty, conduct loyal to the community
4. salvation, well-being
5. צֶדֶק in connection with the king
(Messiah)



From a philosophical perspective, there are three simple ways to define truth:

1. Truth is that which corresponds to reality.
2. Truth is that which matches its object.
3. Truth is simply telling it like it is.



שֶׁדֶק (šedeq)

1. a. accuracy, **what is correct**
b. **the right thing, what is honest**

2. equity, **what is right**

3. communal loyalty, conduct

loyal

to the community

4. salvation, well-being

5. שֶׁדֶק in connection with the

king

(Messiah)



³⁷Therefore Pilate said to Him, “So You are a king?” Jesus answered, “You say *correctly* that I am a king. For this *purpose* I have been born, and for this I have come into the world: to testify to the truth. Everyone who is of the truth listens to My voice.” ³⁸**Pilate said to Him, “What is truth?”**

John 18:37–38a (NASB 2020)

An open Bible lies flat on a dark wooden surface. The pages are filled with text, and the book is illuminated by a warm, golden light from a setting or rising sun in the background. The sun is positioned behind the Bible, creating a bright glow and casting long, soft shadows. The background shows a blurred landscape of trees and hills under a hazy, orange sky.

Delighting in God's Path:
How to Get It Right
Psalm 119:137-144

Mike Hogue
June 14, 2026

Psalm 119:137-144

How to Get It Right

1. _____ God's _____ (119:137-138, 142, 144)
2. _____ God's _____ (119:139-141)
3. _____ in God's _____ (119:140, 143)
4. _____ on God's _____ (119:144)

How to Get It Right

1. Revere God's person (119:137-138, 142, 144)
2. _____ God's _____ (119:139-141)
3. _____ in God's _____ (119:140, 143)
4. _____ on God's _____ (119:144)

1. Revere God's person (119:137-138, 142, 144)

A. His _____ (119:137a)

B. His _____ (119:137b-138)

C. His _____ (119:142, 144)

1. Revere God's person (119:137-138, 142, 144)

A. His essence (119:137a)

B. His _____ (119:137b-138)

C. His _____ (119:142, 144)

¹³⁷**You are righteous, LORD,** And Your
judgments are right.

Psalm 119:137 (NASB 2020)

³Great is the LORD, and highly to be
praised; And His greatness is
unsearchable.

Psalm 145:3 (NASB 2020)

Exodus 3:13-15

¹³Then Moses said to God, “Behold, I am going to the sons of Israel, and I will say to them, ‘The God of your fathers has sent me to you.’ Now they may say to me, ‘What is His name?’ What shall I say to them?”

¹⁴And God said to Moses, “I AM WHO I AM”; and He said, “This is what you shall say to the sons of Israel: ‘I AM has sent me to you.’ ”

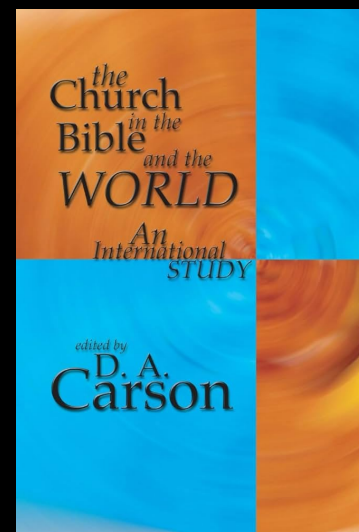
¹⁵God furthermore said to Moses, “This is what you shall say to the sons of Israel: ‘The Lord, the God of your fathers, the God of Abraham, the God of Isaac, and the God of Jacob, has sent me to you.’ This is My name forever, and this is the name for all generations *to use* to call upon Me.

Exodus 3:13–15 (NASB 2020)

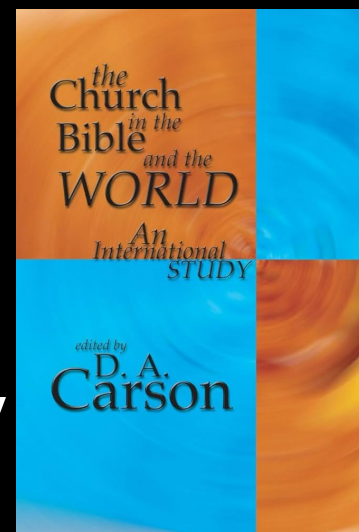
¹In the year of King Uzziah's death I saw the Lord sitting on a throne, lofty and exalted, with the train of His robe filling the temple. ²Seraphim were standing above Him, each having six wings: with two *each* covered his face, and with two *each* covered his feet, and with two *each* flew. ³And one called out to another and said, "Holy, Holy, Holy, is the LORD of armies. The whole earth is full of His glory."

Isaiah 6:1–3 (NASB 2020)

Because worship praises the Lord himself, and does not simply celebrate his works, it moves from thanking God for what he has done to adoring him for who he is. The psalmists sing 'the glory due to his name' (Ps. 29:2). His mighty acts reveal his transcendent power and wisdom. We are called to marvel not only at his wisdom displayed in the cosmos and the ages, but at his wisdom in forming and knowing us personally (Ps. 139:1–18).



Just as we praise God most for his deeds of salvation, so of all his attributes we are most overwhelmed by his saving love, the spring of our redemption. There is therefore a climactic and dramatic movement to our worship. Worship spirals upward from the works of God to the attributes of God, from his sovereignty in creation to his sovereignty in salvation. 'For from him and through him and to him are all things. To him be the glory for ever!' (Rom. 11:36).



1. Revere God's person (119:137-138, 142, 144)

A. His essence (119:137a)

B. His _____ (119:137b-138)

C. His _____ (119:142, 144)

1. Revere God's person (119:137-138, 142, 144)

A. His essence (119:137a)

B. His edicts (119:137b-138)

C. His _____ (119:142, 144)

¹³⁷You are righteous, LORD, **And Your judgments are right.**

¹³⁸You have commanded Your testimonies in righteousness And great faithfulness.

Psalm 119:137–138 (NASB 2020)

יָשָׁר

in All Passages

Add ▾

upright, uprightness

119

straight

just

Jashar

capable

conscientious

safe

proposal

honest

יָשָׁר

straight, stretched; level, smooth

right, rightly



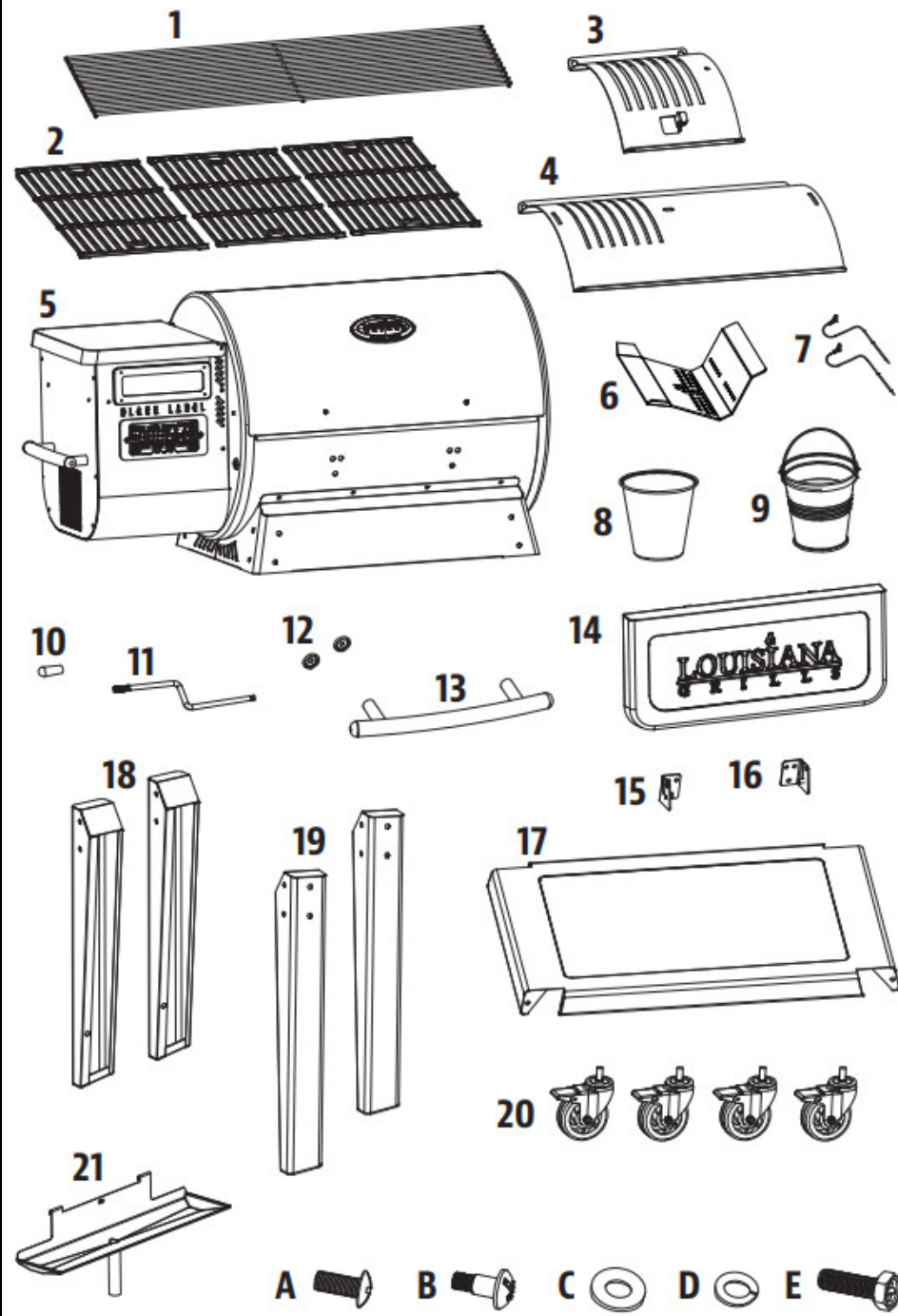
⁴“The Rock! His work is perfect, For
all His ways are just; A God of
faithfulness and without injustice,
Righteous and just is He.

Deuteronomy 32:4 (NASB 2020)

¹³⁷You are righteous, LORD, And Your judgments are right.

¹³⁸You have commanded Your testimonies in righteousness And great faithfulness.

Psalm 119:137–138 (NASB 2020)



Psalm 19:7-11

⁷The Law of the Lord is perfect,
restoring the soul; The testimony of
the Lord is sure, **making wise the
simple.**

⁸The precepts of the Lord are right,
rejoicing the heart; The
commandment of the Lord is pure,
enlightening the eyes.

⁹The fear of the Lord is clean,
enduring forever; The judgments of
the Lord are true; **they are righteous
altogether.**

¹⁰They are more desirable than gold,
yes, than much pure gold; Sweeter
also than honey and drippings of the
honeycomb.

¹¹Moreover, Your servant is warned
by them; **In keeping them there is
great reward.**

Psalm 19:7–11 (NASB 2020)

²⁴So the LORD commanded us to follow all these statutes, to fear the LORD our God **for our own good always** and for our survival, as *it is* today.

Deuteronomy 6:24 (NASB 2020)

1. Revere God's person (119:137-138, 142, 144)

A. His essence (119:137a)

B. His edicts (119:137b-138)

C. His _____ (119:142, 144)

1. Revere God's person (119:137-138, 142, 144)

A. His essence (119:137a)

B. His edicts (119:137b-138)

C. His eternality (119:142, 144)

¹⁴²Your righteousness is an
everlasting righteousness, And Your
Law is truth.

Psalm 119:142 (NASB 2020)

¹⁴⁴Your testimonies are righteous
forever; Give me understanding that I
may live.

Psalm 119:144 (NASB 2020)



¹⁹“God is not a man, that He would lie, **Nor a son of man, that He would change His mind**; Has He said, and will He not do it? Or has He spoken, and will He not make it good?

Numbers 23:19 (NASB 2020)

¹⁷Every good thing given and every perfect gift is from above, coming down from the Father of lights, **with whom there is no variation or shifting shadow.**

James 1:17 (NASB 2020)

⁸Jesus Christ *is* the same yesterday
and today, and forever.

Hebrews 13:8 (NASB 2020)

How to Get It Right

1. Revere God's person (119:137-138, 142, 144)
2. _____ God's _____ (119:139-141)
3. _____ in God's _____ (119:140, 143)
4. _____ on God's _____ (119:144)

How to Get It Right

1. Revere God's person (119:137-138, 142, 144)
2. Remember God's precepts (119:139-141)
3. _____ in God's _____ (119:140, 143)
4. _____ on God's _____ (119:144)

2. Remember God's precepts (119:139-141)

A. The world _____ (119:139)

B. God's servant is _____ (119:140-141)

2. Remember God's precepts (119:139-141)

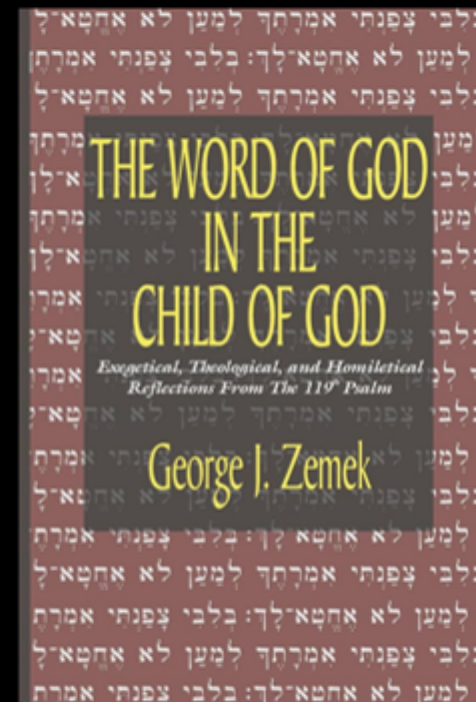
A. The world disregards (119:139)

B. God's servant is _____ (119:140-141)

¹³⁹My zeal has consumed me,
Because my enemies have forgotten
Your words.

Psalm 119:139 (NASB 2020)

In verse 139 the focus shifts from the transcendent realities of Divine fidelity (vv. 137–38) to the tormenting realities of human infidelity. He characterizes his “antagonists” or “adversaries” as having forgotten God’s “words” (v. 139b). It must be remembered that שָׁכַח (šāḱaḥ), “to forget,” very rarely refers to a loss of memory in the OT, but almost always points to a culpable disregard of someone or something.¹⁹ He looks upon these people as apostates who have ignored God’s special revelation.



JOHN C. LENNOX



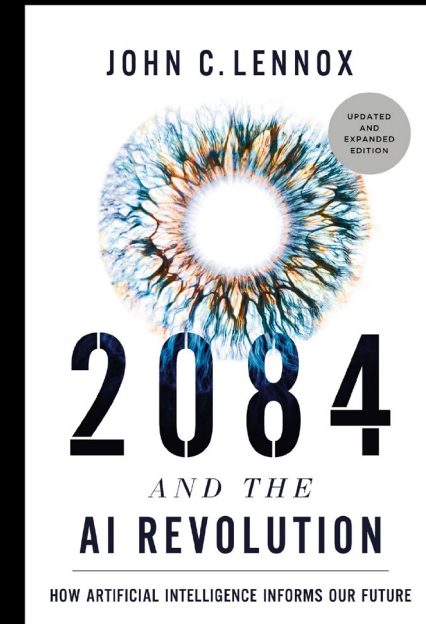
UPDATED
AND
EXPANDED
EDITION

2084

AND THE
AI REVOLUTION

HOW ARTIFICIAL INTELLIGENCE INFORMS OUR FUTURE

Another book that is not so much dystopian as a critique of Chinese contemporary culture is *The Fat Years* by Chan Koonchung. This book, which, it must be said, is not the easiest of reads, is important for its description of collective amnesia on the part of the Communist Party as it airbrushed from history the Tiananmen Square massacre in 1989 and labeled those who cannot “forget” as crazy.



2. Remember God's precepts (119:139-141)

A. The world disregards (119:139)

B. God's servant is _____ (119:140-141)

2. Remember God's precepts (119:139-141)

A. The world disregards (119:139)

B. God's servant is devoted (119:140-141)

¹³⁹My zeal has consumed me,
Because my enemies have forgotten
Your words.

Psalm 119:139 (NASB 2020)

¹⁴¹I am small and despised, *Yet I do not forget Your precepts.*

Psalm 119:141 (NASB 2020)

¹¹I have treasured Your word in my heart, So that I may not sin against You.

Psalm 119:11 (NASB 2020)

³³Teach me, the way of Your statutes, LORD, And I shall comply with it to the end. ³⁴Give me understanding, so that I may comply with Your Law And keep it with all *my* heart. ³⁵Make me walk in the path of Your commandments, For I delight in it. ³⁶Incline my heart to Your testimonies, And not to dishonest gain. ³⁷Turn my eyes away from looking at what is worthless, And revive me in Your ways. ³⁸Establish Your word to Your servant As that which produces reverence for You.

Psalm 119:33–38 (NASB 2020)

³³ _____ me, the _____ of Your _____, LORD, And I
shall _____ with it to the _____. ³⁴ _____ me
_____, so that I may _____ with Your
_____. And _____ it with all *my* _____. ³⁵ Make me _____
in the _____ of Your _____, For I _____ in
it. ³⁶ _____ my _____ to Your _____, And not
to _____ gain. ³⁷ Turn my _____ from
_____ at what is _____, And _____ me in Your
ways. ³⁸ _____ Your _____ to Your _____ As
that which _____ for You.

Psalm 119:33–38 (NASB 2020)

³³ Teach me, the _____ of Your _____, LORD, And I shall _____ with it to the _____. ³⁴ _____ me _____, so that I may _____ with Your _____ And _____ it with all *my* _____. ³⁵ Make me _____ in the _____ of Your _____, For I _____ in it. ³⁶ _____ my _____ to Your _____, And not to _____ gain. ³⁷ Turn my _____ from _____ at what is _____, And _____ me in Your ways. ³⁸ _____ Your _____ to Your _____ As that which _____ for You.

Psalm 119:33–38 (NASB 2020)

³³ Teach me, the way of Your _____, LORD, And I shall _____ with it to the _____. ³⁴ _____ me _____, so that I may _____ with Your _____ And _____ it with all *my* _____. ³⁵ Make me _____ in the _____ of Your _____, For I _____ in it. ³⁶ _____ my _____ to Your _____, And not to _____ gain. ³⁷ Turn my _____ from _____ at what is _____, And _____ me in Your ways. ³⁸ _____ Your _____ to Your _____ As that which _____ for You.

Psalm 119:33–38 (NASB 2020)

³³ Teach me, the way of Your statutes, LORD, And I shall _____ with it to the _____. ³⁴ _____ me _____, so that I may _____ with Your _____. And _____ it with all *my* _____. ³⁵ Make me _____ in the _____ of Your _____, For I _____ in it. ³⁶ _____ my _____ to Your _____, And not to _____ gain. ³⁷ Turn my _____ from _____ at what is _____, And _____ me in Your ways. ³⁸ _____ Your _____ to Your _____. As that which _____ for You.

Psalm 119:33–38 (NASB 2020)

³³ Teach me, the way of Your statutes, LORD, And I shall comply with it to the _____. ³⁴ _____ me _____, so that I may _____ with Your _____. And _____ it with all *my* _____. ³⁵ Make me _____ in the _____ of Your _____, For I _____ in it. ³⁶ _____ my _____ to Your _____, And not to _____ gain. ³⁷ Turn my _____ from _____ at what is _____, And _____ me in Your ways. ³⁸ _____ Your _____ to Your _____. As that which _____ for You.

Psalm 119:33–38 (NASB 2020)

³³ Teach me, the way of Your statutes, LORD, And I shall comply with it to the end. ³⁴ _____ me _____, so that I may _____ with Your _____ And _____ it with all *my* _____. ³⁵ Make me _____ in the _____ of Your _____, For I _____ in it. ³⁶ _____ my _____ to Your _____, And not to _____ gain. ³⁷ Turn my _____ from _____ at what is _____, And _____ me in Your ways. ³⁸ _____ Your _____ to Your _____ As that which _____ for You.

Psalm 119:33–38 (NASB 2020)

³³Teach me, the way of Your statutes, LORD, And I shall comply with it to the end. ³⁴Give me _____, so that I may _____ with Your _____ And _____ it with all *my* _____. ³⁵Make me _____ in the _____ of Your _____, For I _____ in it. ³⁶_____ my _____ to Your _____, And not to _____ gain. ³⁷Turn my _____ from _____ at what is _____, And _____ me in Your ways. ³⁸_____ Your _____ to Your _____ As that which _____ for You.

Psalm 119:33–38 (NASB 2020)

³³ Teach me, the way of Your statutes, LORD, And I shall comply with it to the end. ³⁴ Give me understanding, so that I may _____ with Your _____ And _____ it with all *my* _____. ³⁵ Make me _____ in the _____ of Your _____, For I _____ in it. ³⁶ _____ my _____ to Your _____, And not to _____ gain. ³⁷ Turn my _____ from _____ at what is _____, And _____ me in Your ways. ³⁸ _____ Your _____ to Your _____ As that which _____ for You.

Psalm 119:33–38 (NASB 2020)

³³Teach me, the way of Your statutes, LORD, And I shall comply with it to the end. ³⁴Give me understanding, so that I may comply with Your _____ And _____ it with all *my* _____. ³⁵Make me _____ in the _____ of Your _____, For I _____ in it. ³⁶_____ my _____ to Your _____, And not to _____ gain. ³⁷Turn my _____ from _____ at what is _____, And _____ me in Your ways. ³⁸_____ Your _____ to Your _____ As that which _____ for You.

Psalm 119:33–38 (NASB 2020)

³³Teach me, the way of Your statutes, LORD, And I shall comply with it to the end. ³⁴Give me understanding, so that I may comply with Your Law And _____ it with all *my* _____. ³⁵Make me _____ in the _____ of Your _____, For I _____ in it. ³⁶_____ my _____ to Your _____, And not to _____ gain. ³⁷Turn my _____ from _____ at what is _____, And _____ me in Your ways. ³⁸_____ Your _____ to Your _____ As that which _____ for You.

Psalm 119:33–38 (NASB 2020)

³³Teach me, the way of Your statutes, LORD, And I shall comply with it to the end. ³⁴Give me understanding, so that I may comply with Your Law And keep it with all *my* _____. ³⁵Make me _____ in the _____ of Your _____, For I _____ in it. ³⁶_____ my _____ to Your _____, And not to _____ gain. ³⁷Turn my _____ from _____ at what is _____, And _____ me in Your ways. ³⁸_____ Your _____ to Your _____ As that which _____ for You.

Psalm 119:33–38 (NASB 2020)

³³Teach me, the way of Your statutes, LORD, And I shall comply with it to the end. ³⁴Give me understanding, so that I may comply with Your Law And keep it with all *my* heart. ³⁵Make me _____ in the _____ of Your _____, For I _____ in it. ³⁶_____ my _____ to Your _____, And not to _____ gain. ³⁷Turn my _____ from _____ at what is _____, And _____ me in Your ways. ³⁸_____ Your _____ to Your _____ As that which _____ for You.

Psalm 119:33–38 (NASB 2020)

³³Teach me, the way of Your statutes, LORD, And I shall comply with it to the end. ³⁴Give me understanding, so that I may comply with Your Law And keep it with all *my* heart. ³⁵Make me walk in the _____ of Your _____, For I _____ in it. ³⁶_____ my _____ to Your _____, And not to _____ gain. ³⁷Turn my _____ from _____ at what is _____, And _____ me in Your ways. ³⁸_____ Your _____ to Your _____ As that which _____ for You.

Psalm 119:33–38 (NASB 2020)

³³Teach me, the way of Your statutes, LORD, And I shall comply with it to the end. ³⁴Give me understanding, so that I may comply with Your Law And keep it with all *my* heart. ³⁵Make me walk in the path of Your _____, For I _____ in it. ³⁶ _____ my _____ to Your _____, And not to _____ gain. ³⁷Turn my _____ from _____ at what is _____, And _____ me in Your ways. ³⁸ _____ Your _____ to Your _____ As that which _____ for You.

Psalm 119:33–38 (NASB 2020)

³³Teach me, the way of Your statutes, LORD, And I shall comply with it to the end. ³⁴Give me understanding, so that I may comply with Your Law And keep it with all *my* heart. ³⁵Make me walk in the path of Your commandments, For I _____ in it. ³⁶ _____ my _____ to Your _____, And not to _____ gain. ³⁷Turn my _____ from _____ at what is _____, And _____ me in Your ways. ³⁸ _____ Your _____ to Your _____ As that which _____ for You.

Psalm 119:33–38 (NASB 2020)

³³Teach me, the way of Your statutes, LORD, And I shall comply with it to the end. ³⁴Give me understanding, so that I may comply with Your Law And keep it with all *my* heart. ³⁵Make me walk in the path of Your commandments, For I delight in it. ³⁶ _____ my _____ to Your _____, And not to _____ gain. ³⁷Turn my _____ from _____ at what is _____, And _____ me in Your ways. ³⁸ _____ Your _____ to Your _____ As that which _____ for You.

Psalm 119:33–38 (NASB 2020)

³³Teach me, the way of Your statutes, LORD, And I shall comply with it to the end. ³⁴Give me understanding, so that I may comply with Your Law And keep it with all *my* heart. ³⁵Make me walk in the path of Your commandments, For I delight in it. ³⁶Incline my _____ to Your _____, And not to _____ gain. ³⁷Turn my _____ from _____ at what is _____, And _____ me in Your ways. ³⁸ _____ Your _____ to Your _____ As that which _____ for You.

Psalm 119:33–38 (NASB 2020)

³³Teach me, the way of Your statutes, LORD, And I shall comply with it to the end. ³⁴Give me understanding, so that I may comply with Your Law And keep it with all *my* heart. ³⁵Make me walk in the path of Your commandments, For I delight in it. ³⁶Incline my heart to Your _____, And not to _____ gain. ³⁷Turn my _____ from _____ at what is _____, And _____ me in Your ways. ³⁸ _____ Your _____ to Your _____ As that which _____ for You.

Psalm 119:33–38 (NASB 2020)

³³Teach me, the way of Your statutes, LORD, And I shall comply with it to the end. ³⁴Give me understanding, so that I may comply with Your Law And keep it with all *my* heart. ³⁵Make me walk in the path of Your commandments, For I delight in it. ³⁶Incline my heart to Your testimonies, And not to _____ gain. ³⁷Turn my _____ from _____ at what is _____, And _____ me in Your ways. ³⁸ _____ Your _____ to Your _____ As that which _____ for You.

Psalm 119:33–38 (NASB 2020)

³³Teach me, the way of Your statutes, LORD, And I shall comply with it to the end. ³⁴Give me understanding, so that I may comply with Your Law And keep it with all *my* heart. ³⁵Make me walk in the path of Your commandments, For I delight in it. ³⁶Incline my heart to Your testimonies, And not to dishonest gain. ³⁷Turn my _____ from _____ at what is _____, And _____ me in Your ways. ³⁸ _____ Your _____ to Your _____ As that which _____ for You.

Psalm 119:33–38 (NASB 2020)

³³Teach me, the way of Your statutes, LORD, And I shall comply with it to the end. ³⁴Give me understanding, so that I may comply with Your Law And keep it with all *my* heart. ³⁵Make me walk in the path of Your commandments, For I delight in it. ³⁶Incline my heart to Your testimonies, And not to dishonest gain. ³⁷Turn my eyes _____ from _____ at what is _____, And _____ me in Your ways. ³⁸ _____ Your _____ to Your _____ As that which _____ for You.

Psalm 119:33–38 (NASB 2020)

³³Teach me, the way of Your statutes, LORD, And I shall comply with it to the end. ³⁴Give me understanding, so that I may comply with Your Law And keep it with all *my* heart. ³⁵Make me walk in the path of Your commandments, For I delight in it. ³⁶Incline my heart to Your testimonies, And not to dishonest gain. ³⁷Turn my eyes away from _____ at what is _____, And _____ me in Your ways. ³⁸ _____ Your _____ to Your _____ As that which _____ for You.

Psalm 119:33–38 (NASB 2020)

³³Teach me, the way of Your statutes, LORD, And I shall comply with it to the end. ³⁴Give me understanding, so that I may comply with Your Law And keep it with all *my* heart. ³⁵Make me walk in the path of Your commandments, For I delight in it. ³⁶Incline my heart to Your testimonies, And not to dishonest gain. ³⁷Turn my eyes away from looking at what is _____, And _____ me in Your ways. ³⁸ _____ Your _____ to Your _____ As that which _____ _____ for You.

Psalm 119:33–38 (NASB 2020)

³³Teach me, the way of Your statutes, LORD, And I shall comply with it to the end. ³⁴Give me understanding, so that I may comply with Your Law And keep it with all *my* heart. ³⁵Make me walk in the path of Your commandments, For I delight in it. ³⁶Incline my heart to Your testimonies, And not to dishonest gain. ³⁷Turn my eyes away from looking at what is worthless, And _____ me in Your ways. ³⁸ _____ Your _____ to Your _____ As that which _____ for You.

Psalm 119:33–38 (NASB 2020)

³³Teach me, the way of Your statutes, LORD, And I shall comply with it to the end. ³⁴Give me understanding, so that I may comply with Your Law And keep it with all *my* heart. ³⁵Make me walk in the path of Your commandments, For I delight in it. ³⁶Incline my heart to Your testimonies, And not to dishonest gain. ³⁷Turn my eyes away from looking at what is worthless, And revive me in Your ways. ³⁸ _____ Your _____ to Your _____ As that which _____ _____ for You.

Psalm 119:33–38 (NASB 2020)

³³Teach me, the way of Your statutes, LORD, And I shall comply with it to the end. ³⁴Give me understanding, so that I may comply with Your Law And keep it with all *my* heart. ³⁵Make me walk in the path of Your commandments, For I delight in it. ³⁶Incline my heart to Your testimonies, And not to dishonest gain. ³⁷Turn my eyes away from looking at what is worthless, And revive me in Your ways. ³⁸Establish Your _____ to Your _____ As that which _____ for You.

Psalm 119:33–38 (NASB 2020)

³³Teach me, the way of Your statutes, LORD, And I shall comply with it to the end. ³⁴Give me understanding, so that I may comply with Your Law And keep it with all *my* heart. ³⁵Make me walk in the path of Your commandments, For I delight in it. ³⁶Incline my heart to Your testimonies, And not to dishonest gain. ³⁷Turn my eyes away from looking at what is worthless, And revive me in Your ways. ³⁸Establish Your word to Your _____ As that which _____ for You.

Psalm 119:33–38 (NASB 2020)

³³Teach me, the way of Your statutes, LORD, And I shall comply with it to the end. ³⁴Give me understanding, so that I may comply with Your Law And keep it with all *my* heart. ³⁵Make me walk in the path of Your commandments, For I delight in it. ³⁶Incline my heart to Your testimonies, And not to dishonest gain. ³⁷Turn my eyes away from looking at what is worthless, And revive me in Your ways. ³⁸Establish Your word to Your servant As that which _____ for You.

Psalm 119:33–38 (NASB 2020)

³³Teach me, the way of Your statutes, LORD, And I shall comply with it to the end. ³⁴Give me understanding, so that I may comply with Your Law And keep it with all *my* heart. ³⁵Make me walk in the path of Your commandments, For I delight in it. ³⁶Incline my heart to Your testimonies, And not to dishonest gain. ³⁷Turn my eyes away from looking at what is worthless, And revive me in Your ways. ³⁸Establish Your word to Your servant As that which produces _____ for You.

Psalm 119:33–38 (NASB 2020)

³³Teach me, the way of Your statutes, LORD, And I shall comply with it to the end. ³⁴Give me understanding, so that I may comply with Your Law And keep it with all *my* heart. ³⁵Make me walk in the path of Your commandments, For I delight in it. ³⁶Incline my heart to Your testimonies, And not to dishonest gain. ³⁷Turn my eyes away from looking at what is worthless, And revive me in Your ways. ³⁸Establish Your word to Your servant As that which produces reverence for You.

Psalm 119:33–38 (NASB 2020)

³³Teach me, the way of Your statutes, LORD, And I shall comply with it to the end. ³⁴Give me understanding, so that I may comply with Your Law And keep it with all *my* heart. ³⁵Make me walk in the path of Your commandments, For I delight in it. ³⁶Incline my heart to Your testimonies, And not to dishonest gain. ³⁷Turn my eyes away from looking at what is worthless, And revive me in Your ways. ³⁸Establish Your word to Your servant As that which produces reverence for You.

Psalm 119:33–38 (NASB 2020)

33 Teach me, the way of Your statutes, LORD, And I shall comply with it to the end. 34 Give me understanding, so that I may comply with Your Law And keep it with all my heart. 35 Make me walk in the path of Your commandments, For I delight in it. 36 Incline my heart to Your testimonies, And not to dishonest gain. 37 Turn my eyes away from looking at what is worthless, And revive me in Your ways. 38 Establish Your word to Your servant As that which produces reverence for You.

Psalm 119:33–38 (NASB 2020)

33 _____, the _____ of _____, LORD, And I
_____ with it _____ 34 _____ me
_____, _____ I may _____ with Your
_____ And _____ it _____ *my* _____ 35 Make _____
in the _____, For I _____ in
it. 36 _____ to Your _____, And _____
_____ gain. 37 _____ from
_____ at what is _____, And _____ in _____
ways. 38 _____ to Your _____ As
that which _____ for _____.

Psalm 119:33–38 (NASB 2020)

³³Teach _____, the _____ of _____, LORD, And I
_____ with it _____ ³⁴ me
_____, _____ I may _____ with Your
_____ And _____ it _____ *my* _____. ³⁵Make _____
in the _____, For I _____ in
it. ³⁶ _____ to Your _____, And _____
_____ gain. ³⁷ _____ from
_____ at what is _____, And _____ in _____
ways. ³⁸ _____ to Your _____ As
that which _____ for _____.

Psalm 119:33–38 (NASB 2020)

³³Teach me, the _____ of _____, LORD, And I
_____ with it _____. ³⁴_____ me
_____, _____ I may _____ with Your
_____ And _____ it _____ *my* _____. ³⁵Make _____
in the _____, For I _____ in
it. ³⁶_____ to Your _____, And _____
_____ gain. ³⁷_____ from
_____ at what is _____, And _____ in _____
ways. ³⁸_____ to Your _____ As
that which _____ for _____.

Psalm 119:33–38 (NASB 2020)

³³Teach me, the way of _____, LORD, And I
_____ with it _____. ³⁴_____ me
_____, _____ I may _____ with Your
_____ And _____ it _____ *my* _____. ³⁵Make _____
in the _____, For I _____ in
it. ³⁶_____ to Your _____, And _____
_____ gain. ³⁷_____ from
_____ at what is _____, And _____ in _____
ways. ³⁸_____ to Your _____ As
that which _____ for _____.

Psalm 119:33–38 (NASB 2020)

³³Teach me, the way of Your _____, LORD, And I
_____ with it _____. ³⁴_____ me
_____, _____ I may _____ with Your
_____ And _____ it _____ *my* _____. ³⁵Make _____
in the _____, For I _____ in
it. ³⁶_____ to Your _____, And _____
_____ gain. ³⁷_____ from
_____ at what is _____, And _____ in _____
ways. ³⁸_____ to Your _____ As
that which _____ for _____.

Psalm 119:33–38 (NASB 2020)

³³ Teach me, the way of Your statutes, LORD, And I
_____ with it _____. ³⁴ _____ me
_____, _____ I may _____ with Your
_____ And _____ it _____ *my* _____. ³⁵ Make _____
in the _____, For I _____ in
it. ³⁶ _____ to Your _____, And _____
_____ gain. ³⁷ _____ from
_____ at what is _____, And _____ in _____
ways. ³⁸ _____ to Your _____ As
that which _____ for _____.

Psalm 119:33–38 (NASB 2020)

³³ Teach me, the way of Your statutes, LORD, And I
shall _____ with it _____. ³⁴ _____ me
_____, _____ I may _____ with Your
_____ And _____ it _____ *my* _____. ³⁵ Make _____
in the _____, For I _____ in
it. ³⁶ _____ to Your _____, And _____
_____ gain. ³⁷ _____ from
_____ at what is _____, And _____ in _____
ways. ³⁸ _____ to Your _____ As
that which _____ for _____.

Psalm 119:33–38 (NASB 2020)

³³ Teach me, the way of Your statutes, LORD, And I
shall comply with it _____ ³⁴ _____ me
_____, _____ I may _____ with Your
_____ And _____ it _____ *my* _____. ³⁵ Make _____
in the _____, For I _____ in
it. ³⁶ _____ to Your _____, And _____
_____ gain. ³⁷ _____ from
_____ at what is _____, And _____ in _____
ways. ³⁸ _____ to Your _____ As
that which _____ for _____.

Psalm 119:33–38 (NASB 2020)

³³ Teach me, the way of Your statutes, LORD, And I
shall comply with it to _____ ³⁴ _____ me
_____, _____ I may _____ with Your
_____ And _____ it _____ *my* _____. ³⁵ Make _____
in the _____, For I _____ in
it. ³⁶ _____ to Your _____, And _____
_____ gain. ³⁷ _____ from
_____ at what is _____, And _____ in _____
ways. ³⁸ _____ to Your _____ As
that which _____ for _____.

Psalm 119:33–38 (NASB 2020)

³³ Teach me, the way of Your statutes, LORD, And I
shall comply with it to the ³⁴ _____ me
_____, _____ I may _____ with Your
_____ And _____ it _____ *my* _____. ³⁵ Make _____
in the _____, For I _____ in
it. ³⁶ _____ to Your _____, And _____
_____ gain. ³⁷ _____ from
_____ at what is _____, And _____ in _____
ways. ³⁸ _____ to Your _____ As
that which _____ for _____.

Psalm 119:33–38 (NASB 2020)

³³ Teach me, the way of Your statutes, LORD, And I shall comply with it to the end. ³⁴ _____ me _____, _____ I may _____ with Your _____ And _____ it _____ *my* _____. ³⁵ Make _____ in the _____, For I _____ in it. ³⁶ _____ to Your _____, And _____ gain. ³⁷ _____ from _____ at what is _____, And _____ in _____ ways. ³⁸ _____ to Your _____ As that which _____ for _____.

Psalm 119:33–38 (NASB 2020)

³³ Teach me, the way of Your statutes, LORD, And I shall comply with it to the end. ³⁴ Give me _____, _____ I may _____ with Your _____
_____ And _____ it _____ *my* _____. ³⁵ Make _____
in the _____, For I _____ in
it. ³⁶ _____ to Your _____, And _____
_____ gain. ³⁷ _____ from
_____ at what is _____, And _____ in _____
ways. ³⁸ _____ to Your _____ As
that which _____ for _____.

Psalm 119:33–38 (NASB 2020)

³³Teach me, the way of Your statutes, LORD, And I shall comply with it to the end. ³⁴Give me understanding, _____ I may _____ with Your _____ And _____ it _____ *my* _____. ³⁵Make _____ in the _____, For I _____ in it. ³⁶_____ to Your _____, And _____ gain. ³⁷_____ from _____ at what is _____, And _____ in _____ ways. ³⁸_____ to Your _____ As that which _____ for _____.

Psalm 119:33–38 (NASB 2020)

³³Teach me, the way of Your statutes, LORD, And I
shall comply with it to the end. ³⁴Give me
understanding, so _____ I may _____ with Your
_____ And _____ it _____ *my* _____. ³⁵Make _____
in the _____, For I _____ in
it. ³⁶_____ to Your _____, And _____
_____ gain. ³⁷_____ from
_____ at what is _____, And _____ in _____
ways. ³⁸_____ to Your _____ As
that which _____ for _____.

Psalm 119:33–38 (NASB 2020)

³³Teach me, the way of Your statutes, LORD, And I
shall comply with it to the end. ³⁴Give me
understanding, so that I may _____ with Your
_____ And _____ it _____ *my* _____. ³⁵Make _____
in the _____, For I _____ in
it. ³⁶_____ to Your _____, And _____
_____ gain. ³⁷_____ from
_____ at what is _____, And _____ in _____
ways. ³⁸_____ to Your _____ As
that which _____ for _____.

Psalm 119:33–38 (NASB 2020)

³³Teach me, the way of Your statutes, LORD, And I shall comply with it to the end. ³⁴Give me understanding, so that I may comply with Your
And it my. ³⁵Make _____
in the _____, For I _____ in
it. ³⁶ _____ to Your _____, And _____
_____ gain. ³⁷ _____ from
_____ at what is _____, And _____ in _____
ways. ³⁸ _____ to Your _____ As
that which _____ for _____.

Psalm 119:33–38 (NASB 2020)

³³Teach me, the way of Your statutes, LORD, And I shall comply with it to the end. ³⁴Give me understanding, so that I may comply with Your Law And _____ it _____ my _____. ³⁵Make _____ in the _____, For I _____ in it. ³⁶ _____ to Your _____, And _____ gain. ³⁷ _____ from _____ at what is _____, And _____ in _____ ways. ³⁸ _____ to Your _____ As that which _____ for _____.

Psalm 119:33–38 (NASB 2020)

³³Teach me, the way of Your statutes, LORD, And I shall comply with it to the end. ³⁴Give me understanding, so that I may comply with Your Law And keep it _____ my _____. ³⁵Make _____ in the _____, For I _____ in it. ³⁶_____ to Your _____, And _____ gain. ³⁷_____ from _____ at what is _____, And _____ in _____ ways. ³⁸_____ to Your _____ As that which _____ for _____.

Psalm 119:33–38 (NASB 2020)

³³Teach me, the way of Your statutes, LORD, And I shall comply with it to the end. ³⁴Give me understanding, so that I may comply with Your Law And keep it with ___ my ____. ³⁵Make _____ in the _____, For I _____ in it. ³⁶_____ to Your _____, And _____ gain. ³⁷_____ from _____ at what is _____, And _____ in _____ ways. ³⁸_____ to Your _____ As that which _____ for _____.

Psalm 119:33–38 (NASB 2020)

³³Teach me, the way of Your statutes, LORD, And I shall comply with it to the end. ³⁴Give me understanding, so that I may comply with Your Law And keep it with all my _____. ³⁵Make _____ in the _____, For I _____ in it. ³⁶_____ to Your _____, And _____ gain. ³⁷_____ from _____ at what is _____, And _____ in _____ ways. ³⁸_____ to Your _____ As that which _____ for _____.

Psalm 119:33–38 (NASB 2020)

³³Teach me, the way of Your statutes, LORD, And I shall comply with it to the end. ³⁴Give me understanding, so that I may comply with Your Law And keep it with all my heart. ³⁵Make _____ in the _____, For I _____ in it. ³⁶_____ to Your _____, And _____ gain. ³⁷_____ from _____ at what is _____, And _____ in _____ ways. ³⁸_____ to Your _____ As that which _____ for _____.

Psalm 119:33–38 (NASB 2020)

³³Teach me, the way of Your statutes, LORD, And I shall comply with it to the end. ³⁴Give me understanding, so that I may comply with Your Law And keep it with all my heart. ³⁵Make me _____ in the _____, For I _____ in it. ³⁶ _____ to Your _____, And _____ gain. ³⁷ _____ from _____ at what is _____, And _____ in _____ ways. ³⁸ _____ to Your _____ As that which _____ for _____.

Psalm 119:33–38 (NASB 2020)

³³Teach me, the way of Your statutes, LORD, And I shall comply with it to the end. ³⁴Give me understanding, so that I may comply with Your Law And keep it with all my heart. ³⁵Make me walk in the _____, For I _____ in it. ³⁶ _____ to Your _____, And _____ gain. ³⁷ _____ from _____ at what is _____, And _____ in _____ ways. ³⁸ _____ to Your _____ As that which _____ for _____.

Psalm 119:33–38 (NASB 2020)

³³Teach me, the way of Your statutes, LORD, And I shall comply with it to the end. ³⁴Give me understanding, so that I may comply with Your Law And keep it with all my heart. ³⁵Make me walk in the path _____, For I _____ in it. ³⁶ _____ to Your _____, And _____ gain. ³⁷ _____ from _____ at what is _____, And _____ in _____ ways. ³⁸ _____ to Your _____ As that which _____ for _____.

Psalm 119:33–38 (NASB 2020)

³³Teach me, the way of Your statutes, LORD, And I shall comply with it to the end. ³⁴Give me understanding, so that I may comply with Your Law And keep it with all my heart. ³⁵Make me walk in the path of _____, For I _____ in it. ³⁶ _____ to Your _____, And _____ gain. ³⁷ _____ from _____ at what is _____, And _____ in _____ ways. ³⁸ _____ to Your _____ As that which _____ for _____.

Psalm 119:33–38 (NASB 2020)

³³Teach me, the way of Your statutes, LORD, And I shall comply with it to the end. ³⁴Give me understanding, so that I may comply with Your Law And keep it with all my heart. ³⁵Make me walk in the path of Your _____, For I _____ in it. ³⁶ _____ to Your _____, And _____ gain. ³⁷ _____ from _____ at what is _____, And _____ in _____ ways. ³⁸ _____ to Your _____ As that which _____ for _____.

Psalm 119:33–38 (NASB 2020)

³³Teach me, the way of Your statutes, LORD, And I shall comply with it to the end. ³⁴Give me understanding, so that I may comply with Your Law And keep it with all my heart. ³⁵Make me walk in the path of Your commandments, For I _____ in it. ³⁶ _____ to Your _____, And _____ gain. ³⁷ _____ from _____ at what is _____, And _____ in _____ ways. ³⁸ _____ to Your _____ As that which _____ for _____.

Psalm 119:33–38 (NASB 2020)

³³Teach me, the way of Your statutes, LORD, And I shall comply with it to the end. ³⁴Give me understanding, so that I may comply with Your Law And keep it with all my heart. ³⁵Make me walk in the path of Your commandments, For I delight in it. ³⁶ _____ to Your _____, And _____ gain. ³⁷ _____ from _____ at what is _____, And _____ in _____ ways. ³⁸ _____ to Your _____ As that which _____ for _____.

Psalm 119:33–38 (NASB 2020)

³³Teach me, the way of Your statutes, LORD, And I shall comply with it to the end. ³⁴Give me understanding, so that I may comply with Your Law And keep it with all my heart. ³⁵Make me walk in the path of Your commandments, For I delight in it. ³⁶Incline _____ to Your _____, And _____ gain. ³⁷ _____ from _____ at what is _____, And _____ in _____ ways. ³⁸ _____ to Your _____ As that which _____ for _____.

Psalm 119:33–38 (NASB 2020)

³³Teach me, the way of Your statutes, LORD, And I shall comply with it to the end. ³⁴Give me understanding, so that I may comply with Your Law And keep it with all my heart. ³⁵Make me walk in the path of Your commandments, For I delight in it. ³⁶Incline my _____ to Your _____, And _____ gain. ³⁷ _____ from _____ at what is _____, And _____ in _____ ways. ³⁸ _____ to Your _____ As that which _____ for _____.

Psalm 119:33–38 (NASB 2020)

³³Teach me, the way of Your statutes, LORD, And I shall comply with it to the end. ³⁴Give me understanding, so that I may comply with Your Law And keep it with all my heart. ³⁵Make me walk in the path of Your commandments, For I delight in it. ³⁶Incline my heart to Your _____, And _____ gain. ³⁷ _____ from _____ at what is _____, And _____ in _____ ways. ³⁸ _____ to Your _____ As that which _____ for _____.

Psalm 119:33–38 (NASB 2020)

³³Teach me, the way of Your statutes, LORD, And I shall comply with it to the end. ³⁴Give me understanding, so that I may comply with Your Law And keep it with all my heart. ³⁵Make me walk in the path of Your commandments, For I delight in it. ³⁶Incline my heart to Your testimonies, And _____ gain. ³⁷ _____ from _____ at what is _____, And _____ in _____ ways. ³⁸ _____ to Your _____ As that which _____ for _____.

Psalm 119:33–38 (NASB 2020)

³³Teach me, the way of Your statutes, LORD, And I shall comply with it to the end. ³⁴Give me understanding, so that I may comply with Your Law And keep it with all my heart. ³⁵Make me walk in the path of Your commandments, For I delight in it. ³⁶Incline my heart to Your testimonies, And not _____ gain. ³⁷ _____ from _____ at what is _____, And _____ in _____ ways. ³⁸ _____ to Your _____ As that which _____ for _____.

Psalm 119:33–38 (NASB 2020)

³³Teach me, the way of Your statutes, LORD, And I shall comply with it to the end. ³⁴Give me understanding, so that I may comply with Your Law And keep it with all my heart. ³⁵Make me walk in the path of Your commandments, For I delight in it. ³⁶Incline my heart to Your testimonies, And not to _____ gain. ³⁷ _____ from _____ at what is _____, And _____ in _____ ways. ³⁸ _____ to Your _____ As that which _____ for _____.

Psalm 119:33–38 (NASB 2020)

³³Teach me, the way of Your statutes, LORD, And I shall comply with it to the end. ³⁴Give me understanding, so that I may comply with Your Law And keep it with all my heart. ³⁵Make me walk in the path of Your commandments, For I delight in it. ³⁶Incline my heart to Your testimonies, And not to dishonest gain. ³⁷ _____ from _____ at what is _____, And _____ in _____ ways. ³⁸ _____ to Your _____ As that which _____ for _____.

Psalm 119:33–38 (NASB 2020)

³³Teach me, the way of Your statutes, LORD, And I shall comply with it to the end. ³⁴Give me understanding, so that I may comply with Your Law And keep it with all my heart. ³⁵Make me walk in the path of Your commandments, For I delight in it. ³⁶Incline my heart to Your testimonies, And not to dishonest gain. ³⁷Turn _____ from _____ at what is _____, And _____ in _____ ways. ³⁸ _____ to Your _____ As that which _____ for _____.

Psalm 119:33–38 (NASB 2020)

³³Teach me, the way of Your statutes, LORD, And I shall comply with it to the end. ³⁴Give me understanding, so that I may comply with Your Law And keep it with all my heart. ³⁵Make me walk in the path of Your commandments, For I delight in it. ³⁶Incline my heart to Your testimonies, And not to dishonest gain. ³⁷Turn my _____ from _____ at what is _____, And _____ in _____ ways. ³⁸ _____ to Your _____ As that which _____ for _____.

Psalm 119:33–38 (NASB 2020)

³³Teach me, the way of Your statutes, LORD, And I shall comply with it to the end. ³⁴Give me understanding, so that I may comply with Your Law And keep it with all my heart. ³⁵Make me walk in the path of Your commandments, For I delight in it. ³⁶Incline my heart to Your testimonies, And not to dishonest gain. ³⁷Turn my eyes _____ from _____ at what is _____, And _____ in _____ ways. ³⁸ _____ to Your _____ As that which _____ for _____.

Psalm 119:33–38 (NASB 2020)

³³Teach me, the way of Your statutes, LORD, And I shall comply with it to the end. ³⁴Give me understanding, so that I may comply with Your Law And keep it with all my heart. ³⁵Make me walk in the path of Your commandments, For I delight in it. ³⁶Incline my heart to Your testimonies, And not to dishonest gain. ³⁷Turn my eyes away from _____ at what is _____, And _____ in _____ ways. ³⁸ _____ to Your _____ As that which _____ for _____.

Psalm 119:33–38 (NASB 2020)

³³Teach me, the way of Your statutes, LORD, And I shall comply with it to the end. ³⁴Give me understanding, so that I may comply with Your Law And keep it with all my heart. ³⁵Make me walk in the path of Your commandments, For I delight in it. ³⁶Incline my heart to Your testimonies, And not to dishonest gain. ³⁷Turn my eyes away from looking at what is _____, And _____ in _____ ways. ³⁸ _____ to Your _____ As that which _____ for _____.

Psalm 119:33–38 (NASB 2020)

³³Teach me, the way of Your statutes, LORD, And I shall comply with it to the end. ³⁴Give me understanding, so that I may comply with Your Law And keep it with all my heart. ³⁵Make me walk in the path of Your commandments, For I delight in it. ³⁶Incline my heart to Your testimonies, And not to dishonest gain. ³⁷Turn my eyes away from looking at what is worthless, And _____ in _____ ways. ³⁸ _____ to Your _____ As that which _____ for _____.

Psalm 119:33–38 (NASB 2020)

³³Teach me, the way of Your statutes, LORD, And I shall comply with it to the end. ³⁴Give me understanding, so that I may comply with Your Law And keep it with all my heart. ³⁵Make me walk in the path of Your commandments, For I delight in it. ³⁶Incline my heart to Your testimonies, And not to dishonest gain. ³⁷Turn my eyes away from looking at what is worthless, And revive _____ in _____ ways. ³⁸ _____ to Your _____ As that which _____ for _____.

Psalm 119:33–38 (NASB 2020)

³³Teach me, the way of Your statutes, LORD, And I shall comply with it to the end. ³⁴Give me understanding, so that I may comply with Your Law And keep it with all my heart. ³⁵Make me walk in the path of Your commandments, For I delight in it. ³⁶Incline my heart to Your testimonies, And not to dishonest gain. ³⁷Turn my eyes away from looking at what is worthless, And revive me in _____ ways. ³⁸ _____ to Your _____ As that which _____ for _____.

Psalm 119:33–38 (NASB 2020)

³³Teach me, the way of Your statutes, LORD, And I shall comply with it to the end. ³⁴Give me understanding, so that I may comply with Your Law And keep it with all my heart. ³⁵Make me walk in the path of Your commandments, For I delight in it. ³⁶Incline my heart to Your testimonies, And not to dishonest gain. ³⁷Turn my eyes away from looking at what is worthless, And revive me in Your ways. ³⁸ _____ to Your _____ As that which _____ for _____.

Psalm 119:33–38 (NASB 2020)

³³Teach me, the way of Your statutes, LORD, And I shall comply with it to the end. ³⁴Give me understanding, so that I may comply with Your Law And keep it with all my heart. ³⁵Make me walk in the path of Your commandments, For I delight in it. ³⁶Incline my heart to Your testimonies, And not to dishonest gain. ³⁷Turn my eyes away from looking at what is worthless, And revive me in Your ways. ³⁸Establish _____ to Your _____ As that which _____ for _____.

Psalm 119:33–38 (NASB 2020)

³³Teach me, the way of Your statutes, LORD, And I shall comply with it to the end. ³⁴Give me understanding, so that I may comply with Your Law And keep it with all my heart. ³⁵Make me walk in the path of Your commandments, For I delight in it. ³⁶Incline my heart to Your testimonies, And not to dishonest gain. ³⁷Turn my eyes away from looking at what is worthless, And revive me in Your ways. ³⁸Establish Your _____ to Your _____ As that which _____ for _____.

Psalm 119:33–38 (NASB 2020)

33 Teach me, the way of Your statutes, LORD, And I shall comply with it to the end. 34 Give me understanding, so that I may comply with Your Law And keep it with all my heart. 35 Make me walk in the path of Your commandments, For I delight in it. 36 Incline my heart to Your testimonies, And not to dishonest gain. 37 Turn my eyes away from looking at what is worthless, And revive me in Your ways. 38 Establish Your word to Your _____ As that which _____ for _____.

Psalm 119:33–38 (NASB 2020)

33 Teach me, the way of Your statutes, LORD, And I shall comply with it to the end. 34 Give me understanding, so that I may comply with Your Law And keep it with all my heart. 35 Make me walk in the path of Your commandments, For I delight in it. 36 Incline my heart to Your testimonies, And not to dishonest gain. 37 Turn my eyes away from looking at what is worthless, And revive me in Your ways. 38 Establish Your word to Your servant As that which _____ for _____.

Psalm 119:33–38 (NASB 2020)

33 Teach me, the way of Your statutes, LORD, And I shall comply with it to the end. 34 Give me understanding, so that I may comply with Your Law And keep it with all my heart. 35 Make me walk in the path of Your commandments, For I delight in it. 36 Incline my heart to Your testimonies, And not to dishonest gain. 37 Turn my eyes away from looking at what is worthless, And revive me in Your ways. 38 Establish Your word to Your servant As that which produces _____ for _____.

Psalm 119:33–38 (NASB 2020)

33 Teach me, the way of Your statutes, LORD, And I shall comply with it to the end. 34 Give me understanding, so that I may comply with Your Law And keep it with all my heart. 35 Make me walk in the path of Your commandments, For I delight in it. 36 Incline my heart to Your testimonies, And not to dishonest gain. 37 Turn my eyes away from looking at what is worthless, And revive me in Your ways. 38 Establish Your word to Your servant As that which produces reverence for ____.

Psalm 119:33–38 (NASB 2020)

33 Teach me, the way of Your statutes, LORD, And I shall comply with it to the end. 34 Give me understanding, so that I may comply with Your Law And keep it with all my heart. 35 Make me walk in the path of Your commandments, For I delight in it. 36 Incline my heart to Your testimonies, And not to dishonest gain. 37 Turn my eyes away from looking at what is worthless, And revive me in Your ways. 38 Establish Your word to Your servant As that which produces reverence for You.

Psalm 119:33–38 (NASB 2020)

¹⁴¹I am small and despised, *Yet I do not forget Your precepts.*

Psalm 119:141 (NASB 2020)

¹³⁹My zeal has consumed me,
Because my enemies have forgotten
Your words.

Psalm 119:139 (NASB 2020)

2 Peter 1:5-9

⁵Now for this very reason also,
applying all diligence, in your faith
supply moral excellence, and in *your*
moral excellence, knowledge,

⁶and in *your* knowledge, self-control,
and in *your* self-control,
perseverance, and in *your*
perseverance, godliness,

⁷and in *your* godliness, brotherly kindness, and in *your* brotherly kindness, love.

⁸For if these *qualities* are yours and are increasing, they do not make you useless nor unproductive in the true knowledge of our Lord Jesus Christ.

⁹For the one who lacks these *qualities* is blind *or* short-sighted, **having forgotten** *his* purification from his former sins.

2 Peter 1:5–9 (NASB 2020)

How to Get It Right

1. Revere God's person (119:137-138, 142, 144)
2. Remember God's precepts (119:139-141)
3. _____ in God's _____ (119:140, 143)
4. _____ on God's _____ (119:144)

How to Get It Right

1. Revere God's person (119:137-138, 142, 144)
2. Remember God's precepts (119:139-141)
3. Rejoice in God's promises (119:140, 143)
4. _____ on God's _____ (119:144)

3. Rejoice in God's promises (119:140, 143)

A. They are _____ (119:140)

B. They give _____ (119:143)

3. Rejoice in God's promises (119:140, 143)

A. They are reliable (119:140)

B. They give _____ (119:143)

¹⁴⁰Your word is very pure, Therefore
Your servant loves it.

Psalm 119:140 (NASB 2020)

¹³⁷You are **righteous**, LORD, And Your judgments are right.

¹³⁸You **have commanded** Your testimonies in righteousness And great faithfulness.

¹³⁹**My zeal has consumed me**, Because **my enemies have forgotten Your words**.

¹⁴⁰Your word is very pure, Therefore Your servant loves it.

¹⁴¹I am small and despised, **Yet I do not forget Your precepts**.

¹⁴²Your righteousness is an everlasting righteousness, And Your Law is truth.

¹⁴³**Trouble and anguish have come upon me**, *Yet Your commandments* are my delight.

¹⁴⁴Your testimonies are **righteous** forever; Give me understanding that I may live.

Psalm 119:137–144 (NASB 2020)

¹⁴⁰Your word is **very pure**, Therefore
Your servant loves it.

Psalm 119:140 (NASB 2020)

NASB95,2020, NKJV

“very pure”

HCSB

“completely pure”

NET

“absolutely pure”

ESV, RSV

“well

tried”

NIV

“thoroughly tested”

שָׂרַף (šārap)

1. to smelt (metal)
2. to refine (by smelting)
3. to sift



⁶The words of the LORD are pure words; Like silver refined in a furnace on the ground, filtered seven times.

Psalm 12:6 (NASB 2020)



³¹Yet those who wait for the LORD Will
gain new strength; They will mount
up *with* wings like eagles, They will
run and not get tired, They will walk
and not become weary.

Isaiah 40:31 (NASB 2020)

⁶Do not be anxious about anything, but in everything by prayer and pleading with thanksgiving let your requests be made known to God. ⁷And the peace of God, which surpasses all comprehension, will guard your hearts and minds in Christ Jesus.

Philippians 4:6–7 (NASB 2020)

²⁷My sheep listen to My voice, and I know them, and they follow Me; ²⁸and I give them eternal life, and they will never perish; and no one will snatch them out of My hand. ²⁹My Father, who has given *them* to Me, is greater than all; and no one is able to snatch *them* out of the Father's hand.

John 10:27–29 (NASB 2020)

3. Rejoice in God's promises (119:140, 143)

A. They are reliable (119:140)

B. They give _____ (119:143)

3. Rejoice in God's promises (119:140, 143)

A. They are reliable (119:140)

B. They give resilience (119:143)

¹⁴³ **Trouble and anguish have come upon me,** *Yet* Your commandments are my delight.

Psalm 119:143 (NASB 2020)

¹⁴³Trouble and anguish have come upon me, *Yet* Your commandments are my delight.

Psalm 119:143 (NASB 2020)

⁴For whatever was written in earlier times was written for our instruction, so that **through perseverance and the encouragement of the Scriptures we might have hope.**

Romans 15:4 (NASB 2020)

³And not only *this*, but **we also celebrate in our tribulations**, knowing that tribulation brings about perseverance; ⁴and perseverance, proven character; and proven character, hope; ⁵and **hope does not disappoint**, because the love of God has been poured out within our hearts through the Holy Spirit who was given to us.

Romans 5:3–5 (NASB 2020)

¹⁰After you have suffered for a little while, **the God of all grace**, who called you to His eternal glory in Christ, **will Himself** perfect, confirm, strengthen, *and* establish you.

1 Peter 5:10 (NASB 2020)

³⁵Therefore, do not throw away your confidence, which has a great reward. ³⁶For you have need of endurance, so that when you have done the will of God, you may receive what was promised.

Hebrews 10:35–36 (NASB 2020)

¹⁶Therefore we do not lose heart, but though our outer person is decaying, yet our inner *person* is being renewed day by day. ¹⁷For our momentary, light affliction is producing for us an eternal weight of glory far beyond all comparison, ¹⁸while **we look not at the things which are seen, but at the things which are not seen**; for the things which are seen are temporal, but the things which are not seen are eternal.

2 Corinthians 4:16–18 (NASB 2020)

How to Get It Right

1. Revere God's person (119:137-138, 142, 144)
2. Remember God's precepts (119:139-141)
3. Rejoice in God's promises (119:140, 143)
4. _____ on God's _____ (119:144)

How to Get It Right

1. Revere God's person (119:137-138, 142, 144)
2. Remember God's precepts (119:139-141)
3. Rejoice in God's promises (119:140, 143)
4. Rely on God's provision (119:144)

¹⁴⁴Your testimonies are righteous forever; Give me understanding that I may live.

Psalm 119:144 (NASB 2020)

¹⁰The thief comes only to steal and kill and destroy; I came so that they would have life, and have *it* abundantly.

John 10:10 (NASB 2020)

³And He humbled you and let you go hungry, and fed you with the manna which you did not know, nor did your fathers know, in order to make you understand that man shall not live on bread alone, but man shall live on everything that comes out of the mouth of the LORD.

Deuteronomy 8:3 (NASB 2020)

¹⁶In the wilderness *it was* He who fed you manna which your fathers did not know, in order to humble you and in order to put you to the test, to do good for you in the end.

¹⁷Otherwise, you may say in your heart, ‘My power and the strength of my hand made me this wealth.’

Deuteronomy 8:16–17 (NASB 2020)

⁵I am the vine, you are the branches; the one who remains in Me, and I in him bears much fruit, **for apart from Me you can do nothing.**

John 15:5 (NASB 2020)

How to Get It Right

1. Revere God's person (119:137-138, 142, 144)
2. Remember God's precepts (119:139-141)
3. Rejoice in God's promises (119:140, 143)
4. Rely on God's provision (119:144)

Application

Application

Because God Himself is unchangingly righteous and His Word has been proven trustworthy, hold tightly to His commands and promises, even in the smallness and trouble of this life. He alone is the One we can ultimately depend on for everything we need.