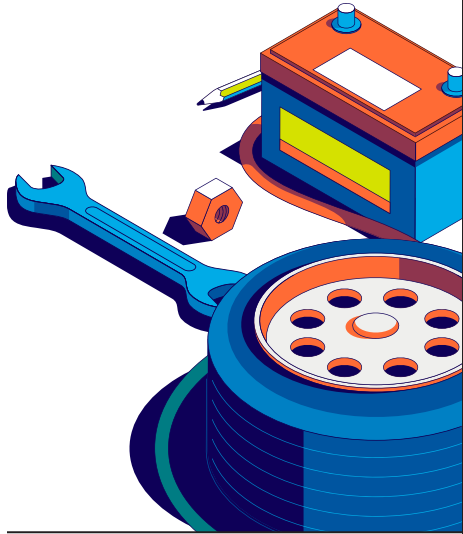


Driven: What's inside matters most

Integrity is choosing to be truthful in whatever you say and do.



Bible Story

Shadrach, Meshach, and
Abednego
Daniel 3

When has someone helped you see God?

MEMORY VERSE

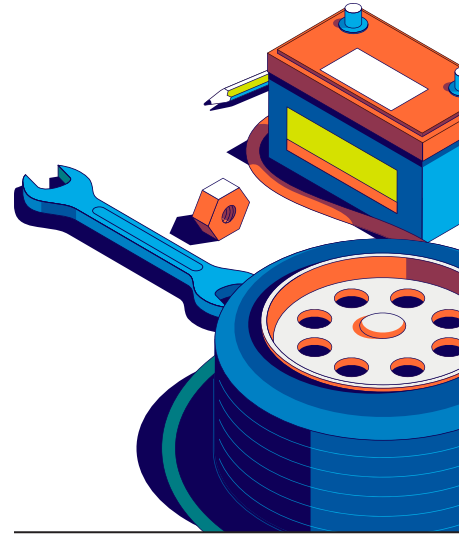
"Anyone who lives without
blame walks safely. But anyone
who takes a crooked path
will get caught."
Proverbs 10:9, NIV

Weekly Cues



Driven: What's inside matters most

Integrity is choosing to be truthful in whatever you say and do.



Bible Story

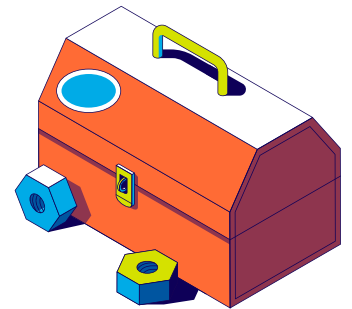
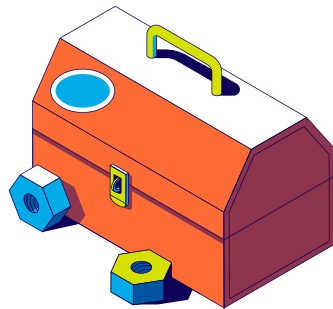
Shadrach, Meshach, and
Abednego
Daniel 3

When has someone helped you see God?

MEMORY VERSE

"Anyone who lives without
blame walks safely. But anyone
who takes a crooked path
will get caught."
Proverbs 10:9, NIV

Weekly Cues



Preteen

ENGAGE IN EVERYDAY MOMENTS TOGETHER



Morning Time

As your kid starts their day, let them know something you admire about their character or faith.



Meal Time

At a meal, have everyone at the table answer this question: "When has someone helped you see God?" What did they show you?"



Drive Time

While on the go, ask your kid: "Who is someone that you admire for their faith? What is it about them that you respect or admire?"



Bed Time

Pray for each other: "God, may our words and our actions show people just how much You love them and us."

Preteen

ENGAGE IN EVERYDAY MOMENTS TOGETHER



Morning Time

As your kid starts their day, let them know something you admire about their character or faith.



Meal Time

At a meal, have everyone at the table answer this question: "When has someone helped you see God?" What did they show you?"



Drive Time

While on the go, ask your kid: "Who is someone that you admire for their faith? What is it about them that you respect or admire?"



Bed Time

Pray for each other: "God, may our words and our actions show people just how much You love them and us."